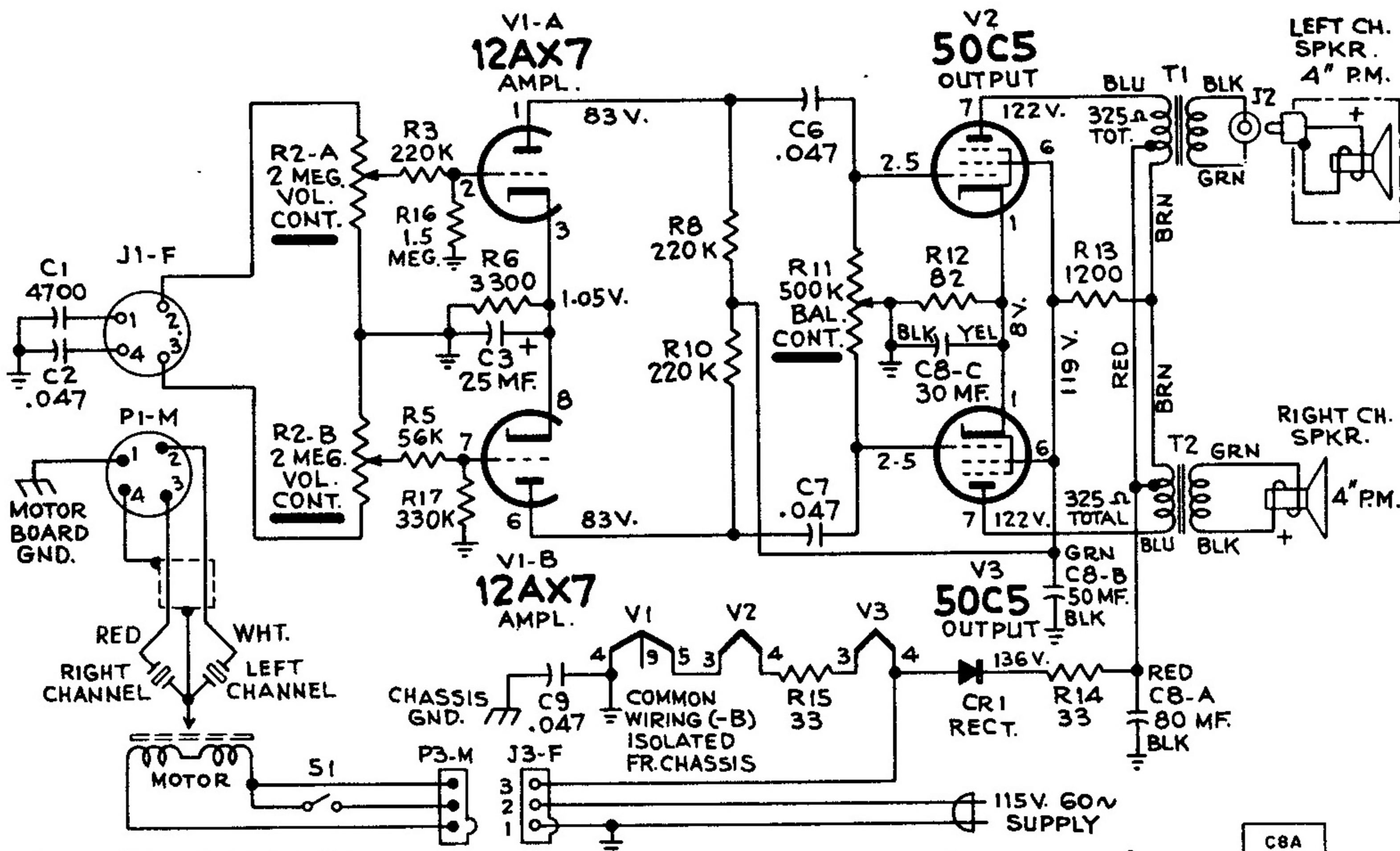


RCA Victor SES-3 Series, Chassis RS-184A. Model SES-4JE, RS-184 is similar.



CAPACITANCE VALUES LESS THAN 1 IN MF.
1 AND ABOVE IN MMF. UNLESS OTHERWISE
INDICATED.

RESISTANCE VALUES IN OHMS.

K = 1000

